



Experience - Knowledge - Cutting - edge Technology



## Our Distributors

Visit our website for details.

<https://sotooutdoors.com/international-distributors/>



Manufacturer

**Shin Fuji Burner CO., LTD.**

1-1-3 Miyukihama, Mito,  
Toyokawa, Aichi, 441-0314  
JAPAN

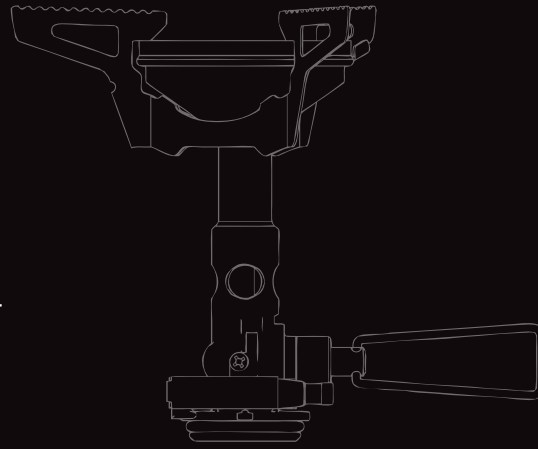
Tel +81 533 76 5555

Fax +81 533 76 5055

[www.sotooutdoors.com](http://www.sotooutdoors.com)

# Table of Contents

- 01 — Table of Contents
- 02 — Awards
- 03 — MADE IN JAPAN
- 07 — SOTO Technology :The Micro Regulator
- 09 — SOTO Technology :Wind Resistance
- 11 — SOTO Technology : Non-Priming Pump
- 13 — Explorer from Upper Mustang,Nepal and Lower Tibet George Baboi
- 17 — FUSION Trek
- 19 — StormBreaker
- 21 — AMICUS
- 22 — AMICUS Cook Set Combo
- 23 — WindMaster
- 24 — Compact Foldable Stove
- 27 — Pocket Torch
- 28 — Pocket Torch Extend
- 29 — Thermostack
- 30 — Thermostack Cook Set Combo,ThermoLite
- 31 — New River Pot
- 32 — Navigator Cook Set
- 33 — AeroMug, AeroLid, Helix Coffee Maker, Pocket Spork
- 34 — Monkey Ring, Field Hopper
- 35 — STAINLESS STEEL DUTCH OVEN
- 36 — STAINLESS HEAVY POT GORA
- 37 — Features



# Awards

- 2019
- 2018
- 2016
- 2014
- 2013
- 2012
- 2011
- 2010



**January 2019**  
outdoor 2019 EDITORS' CHOICE



**January 2019**  
ISPO Award 2019 Winner



**August 2018**  
AMERICAN ALPINE INSTITUTE GUIDES CHOICE



**July 2018**  
UK OUTDOOR INDUSTRY AWARD 2019  
CAMPING EQUIPMENT FINALIST



**February 2016**  
SOTO WindMaster receives the "HI Travel Tales Seal of Approval" for travel product excellence.



**July 2014**  
SOTO WindMaster awarded "Gear Institute Best in Class 2014".



**July 2013**  
SOTO WindMaster receives "Outdoor Industry Award 2013" in the Camping Equipment category.

**February 2013**  
SOTO Muka Stove wins the GOLD Award at ISPO Award 2013.



**July 2012**  
SOTO Muka Stove wins the GOLD at the Outdoor Industry Award 2012, the world's leading tradeshow for the outdoor industry.



**August 2011**  
Backpacker Magazine awards SOTO with the "Editors' Choice, Snow Award" for the revolutionary Muka Stove.



**March 2010**  
SOTO wins "Editors' Choice Award" from Backpacker Magazine for the Micro Regulator Stove and the Pocket Torch. SOTO also receives the "Editors' Choice Award" from Europe's authoritative magazine, *Outdoors*, for the Micro Regulator Stove.

# MADE IN JAPAN

## *Commitment to quality and safety*

Committed to the quality and safety of fire-related appliances for over 40 years, SOTO has a track record of supplying products domestically and abroad. We ensure high quality and safety through highly specialized staff and in-house production.

Because safety is a high priority, customers can use our products with peace of mind. Producing a burner is a highly specialized endeavor one mistake can lead to a major accident. Compromise in quality control is not an option.

- Design, processing and assembly of major parts such as fuel valves are all done in-house.
- All major inspections, including pneumatic and ignition inspections, are conducted in-house.
- In the production of specific liquefied petroleum gas appliances, compliance inspections by third parties are regularly conducted to ensure quality and safety as well as external quality control along with internal quality control.





## The flame of Japan supporting the lives of climbers at the world's highest peak

SOTO's stove, entirely made in Japan, is the official stove adopted by the world-renowned Himex, Russell Brice Expedition team. The team has been using these stoves on the world's highest mountain peaks including Everest and K2. For those who climb in the incredibly harsh environment, the stove that turns snow into water is said to be "a valuable tool for life". The world's smallest, lightweight design with a solid, secure Japanese flame supports mountain climbers under all weather conditions. SOTO is constantly seeking to improve product performance by actively incorporating the opinions from mountain climbing teams.

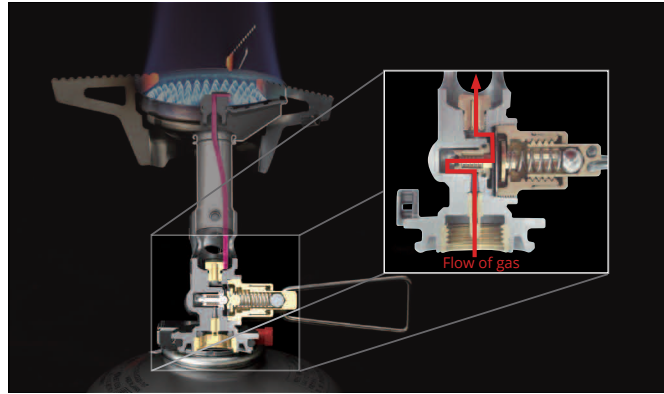


# SOTO Technology

## The Micro Regulator

**Performs well when liquefied gas reaches temperatures as low as -5°C(23°F)**

Traditional needle-valve systems control the flow of gas by twisting the needlepoint to adjust the flow of fuel. When temperatures drop and liquefied gas becomes cold, internal pressure drops, resulting in a reduced flow of gas into the burner head. This produces an inadequate flame for cooking. The Micro Regulator System maintains a consistent pressure under cold and hot ambient temperatures.

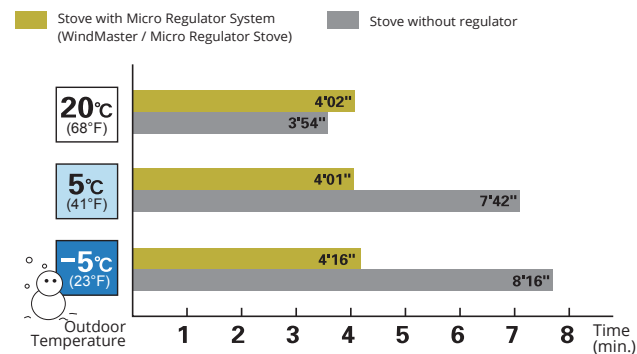


### Continuous output in colder weather

With installation of the Micro Regulator System, the stove is able to maintain a consistent output when challenging the limits in this category of stoves.

### Stove with Micro Regulator System offers a wide range of flame control options

Boiling time for 1 liter of water\* under various ambient temperatures



- The Micro Regulator System offers the same boiling time in an ambient temperature range of 20°C (68°F) to -5°C (23°F).
  - The Micro Regulator System takes less than half the time of other needle valve systems to boil a pot of water under -5°C (23°F).
- \* Initial water temperature: 20°C / 68°F





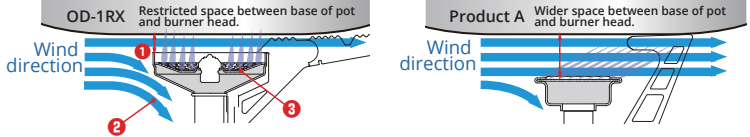
# SOTO Technology Wind Resistance

## *Superior performance under windy conditions*

Frigid, chilling winds? No problem. Meticulously engineered and crafted, SOTO's new WindMaster Stove out-performs its competitors under windy conditions. On a stormy, blustery day, the WindMaster is able to maintain a strong flame. Tired. Cold. Hungry. Wind is blowing 3m/sec. No worries with the WindMaster! --hot dinner coming right up. Designed to position pot close to the burner head —nearly impossible for winds to penetrate this stove's flame. Be confident, a warm dinner is just minutes away.



## WindMaster: Superior under windy conditions.



- 1 Restricted space between base of pot and burner head.
- 2 Ledge around burner head designed to work like a windshield.
- 3 Precisely engineered concave burner head protects flame from the wind.

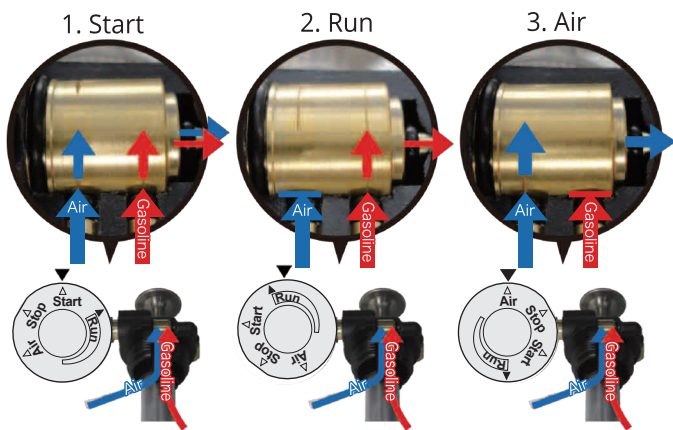
# SOTO Technology

## Non-Priming Pump

Unlike a common liquid gas stove, the Storm-Breaker requires no pre-heating. SOTO's revolutionary features--the Smart Pump and Dual Groove Drum system--enable the StormBreaker to atomize liquid fuel instantly and simulate gas stove start up.



40 seconds till flame stable



# Explorer from Upper Mustang, Nepal and Lower Tibet George Baboi



Dear SOTO,  
I have been trekking in Nepal since the end of October. This time I have been exploring Upper Mustang and Lower Tibet. This location is insanely beautiful—so far away from any civilization and conveniences. Reliable products and gear become a life-or-death situation for crazy people like us.

I promised that I would test the StormBreaker to its limits. I can only say one thing about it: "THIS IS THE BEST PRODUCT EVER MADE FROM EVERY POINT OF VIEW".

We used two StormBreaker units as our only source for making drinking water and cooking for two trekkers and two Sherpa. The product is extremely light and at the same time built very strong. The heat transfer process from flame to cooking pot is incredibly efficient.

Actually, we use these units not only for water purification and cooking, but also for making hot water for towel bathing. Our pot for this was almost 4 liters. To boil about 3 liters of water took just a few minutes. I do not know how

SOTO was able to achieve such efficiency in a design that, in my opinion, leaves your competitors way behind.

Congratulations to the designing engineer team at SOTO for achieving such perfection!!

You should also know that I had some concern about our ability to carry so many fuel cartridges with us due to the weight issue on such long trips (usually 18 to 27 days). We were able to find alternative fuels in small remote villages in the mountains. There was absolutely no difference in heat transfer efficiency for cooking or boiling water with these other fuel sources.

One more item I want to mention about the functionality of the StormBreaker: I know from the specifications that the unit should withstand reasonable winds without extinguishing the flame.

Well, I had the opportunity to test out that claim more than once. Evening cooking in an area where we were protected from a direct wind—or so we thought—the wind changed directions and we were hit directly. Actually, it was such a strong

wind that if we were standing up and leaning forward at a 45-degree angle, we would not fall down. We thought that is it. No cooking tonight but when we looked at the flame, there was absolutely no change in performance. Water was still boiling like crazy! One night we cooked for 3 other trekkers since their units were not able to withstand the wind and the flame from their units (competitor products) were extinguished, making their stoves useless. They wanted us to sell one of our units right then after seeing how good SOTO's stove works. But we did not sell ours because we needed them for our journey. They told us that they will switch to the StormBreaker as soon as they return to Germany.

In summary, the StormBreaker is an outstanding product that performs beyond any of our expectations, leaving the competition behind!

I hope that your customers can experience the same pleasure and enjoyment that your product has given us. We also experience peace-of-mind knowing that we can count on this stove every single day. It will work as it should.

Again, congratulations to the entire team at SOTO for making this product what it is! Currently, we are in Lo-Manthang after 14 days of trekking. I have found an internet connection, so I wanted to send you this review and also thank you for making it possible for us to depend on your product. We will be here for about 4 more days and then trek back to civilization—a journey of 7 or 8 more days, making this trek over 26 days long.

With much respect,

George





# Stoves



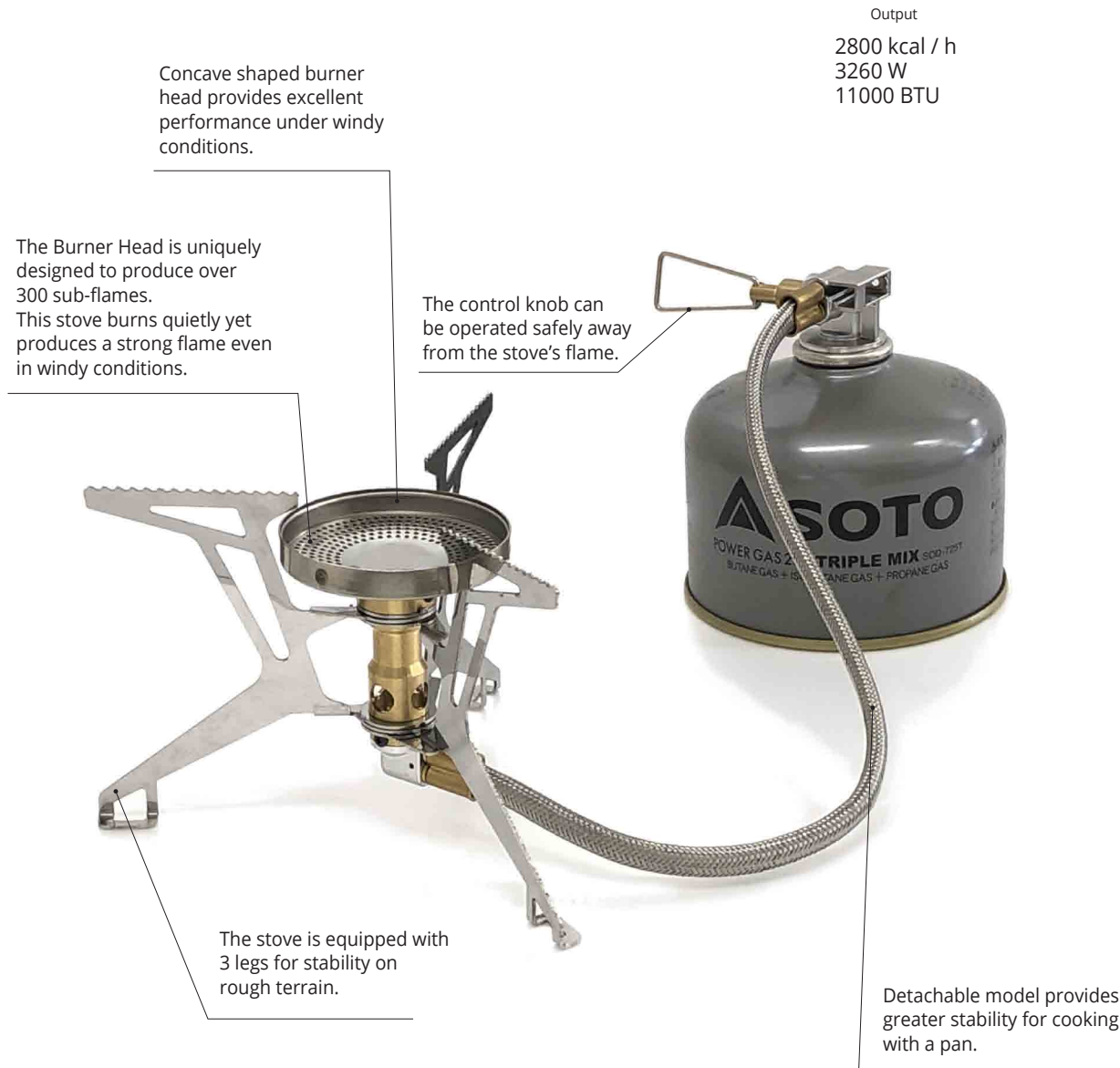
**SOTO**  
sparked by nature

**SOTO**  
OVER GAS 250 TRIPLE MIX  
BUTANE GAS + ISOBUTANE GAS + PROPANE

# FUSION Trek Coming Soon

OD-1FT

The emergence of a separate Micro Regulator stove using a gas canister for fuel!  
 A detachable stove upgraded for mountain use.  
 An improved burner head with a concave crater shape is strong against the wind.  
 The stable, 3-leg support sits firmly on rough ground.



## Suited for outdoor cooking.



### Detachable type

SOTO introduces its first detachable stove that works with outdoor gas canisters.

### Lightweight

Detachable stoves tend to be heavy due to their many parts. SOTO has achieved a weight close to that of the direct connect-type stove by selecting lightweight materials and developing a superior design.

### Flame control knob

The flame control knob is installed onto the gas adapter. The operator can remotely control the flame adjustment away from the burner for safe cooking.

### 3 legs

In order to improve stability and reduce weight on rough terrain, this stove has three legs that double as pot supports.

### Micro Regulator

A stove's output is reduced under lower ambient temperatures due to cooling of the gas canister when in use. This is an inherent weakness in gas stoves. SOTO's Micro Regulator provides a consistent flame, both in colder weather and when the gas canister becomes cold due to continual use.

### Wind resistance

The concave shaped burner head and the individual short flame make this stove wind resistant.

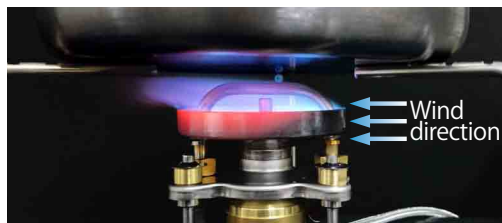
# StormBreaker Not in USA

OD-1ST

The StormBreaker ignites instantaneously with no preheating/priming.

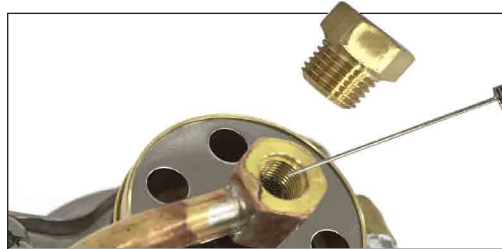


Output  
3000 kcal / h  
3487 W  
11904 BTU



## Superior wind resistance

- Optimal distance between the pot and burner head.
- Concave burner head guards flame from the wind.
- Built-in windscreen.
- Downward facing air intake = uninterrupted supply of air for improved combustion.



## Easy-care jet

- No need to remove jet for cleaning!
- Remove the screw cover and clean the mesh filter with brush.
- Generator unit constructed of only 3 parts requiring minimal replacement parts.

### Set includes:

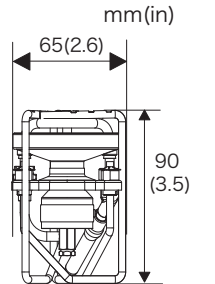
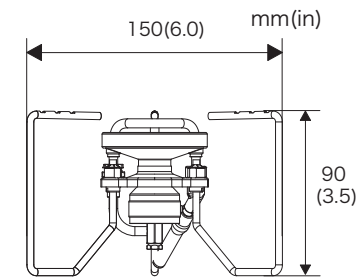
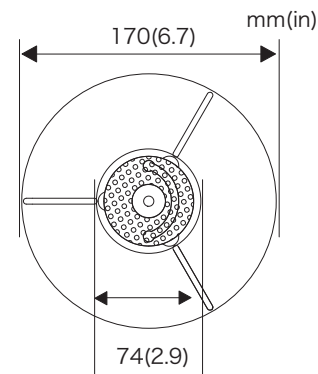


## Dual purpose jet

Switching the fuel from gas to liquid is a breeze. One jet for either liquid or gas fuel.

## Canister Liquid Feed

Inverted gas canister for colder temperatures. Generator heated gas does not depend on canister pressure for constant output.



Weight: Without pump 273 g / 9.6 oz,  
With pump 443 g / 16 oz

## Optional Accessories

<b>StormBreaker Replacement Hose Unit</b> OD-1ST1 	<b>StormBreaker Replacement Generator Unit</b> OD-1ST2 	<b>StormBreaker Replacement Nozzle Unit</b> OD-1ST3 	<b>StormBreaker Maintenance Kit</b> OD-1ST4 
<b>Smart Pump</b> OD-SPN 	<b>Fuel Bottle Cap</b> OD-BTC 	<b>Fuel Bottle 400ml,700ml&amp;1000ml</b> 	
	<b>Child-Resistant Fuel Bottle Cap</b> OD-BTCCR 	① Volume 280 ml / 9.5 fl oz ② Volume 480 ml / 16.2 fl oz ③ Volume 720 ml / 24.3 fl oz	④ Volume 480 ml / 16.2 fl oz ⑤ Volume 720 ml / 24.3 fl oz Only available in the US

# AMICUS with Stealth Igniter without igniter

## SOTO's first low-cost, high performance stove

SOTO launched this stove in 2015.

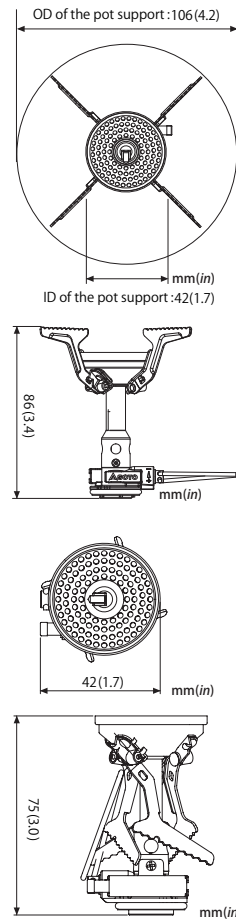
The Amicus is a reliable, high-performance/low-cost stove. Light-weight and compact. Comes with 4-prong pot supports for stability.

Output  
2600 kcal / h  
3030 W  
10210 BTU



AMICUS w/ Stealth Igniter  
OD-1NVE

AMICUS w/o Igniter  
OD-1NV



Amicus  
w/Stealth Igniter 81g / 2.9 oz  
w/o igniter 75g / 2.6 oz

### Optional Accessories

#### IGNITER REPAIR KIT OD-1NVEP

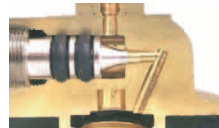
Igniter repair kit for OD-1NVE. Easy to install. This convenient repair kit provides all the parts and instructions necessary to replace the igniter for this stove.



#### Triple O-ring Seal



Triple O-ring seal



Metal seal

#### Spring-Loaded Pot Support

4 pot supports are engineered for easy set up. Stable for the pot.



#### Shock Resistant!

The Stealth Igniter installed inside burner post improves ignition and prevents breakage. Makes stove compact and lightweight.



#### Superior under windy conditions!

Unique raised ledge at crown of burner head and concave burner surface boost performance under windy conditions.

# AMICUS w/ Stealth Igniter + Cook Set Combo

OD-1NVE Combo OD-1NV Combo

A set of pots that conveniently store the Amicus stove and a 110g gas canister.



OD-1NVE Combo



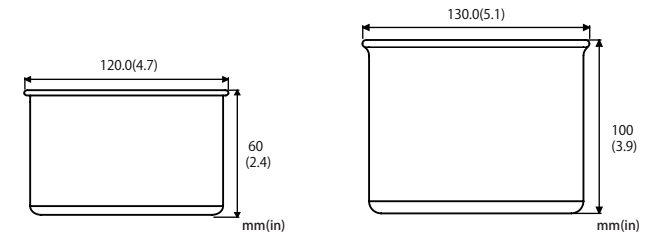
OD-1NV Combo



Made of hard anodized aluminum

### Stows compactly.

\*Canister and Pocket Spork not included.



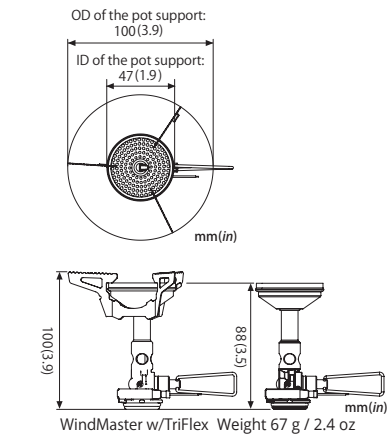
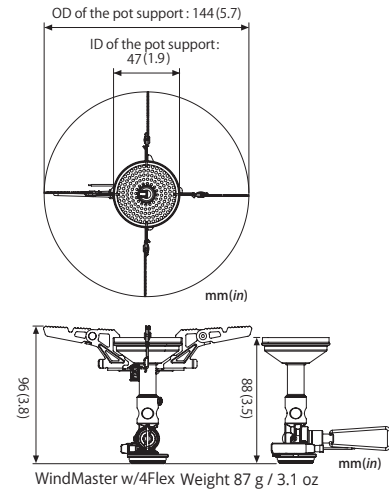
Small Pot  
Dimensions: 120 x 60mm / 4.7 x 2.4 in  
Volume: 500ml / 16.9 fl oz  
Weight: 78 g / 2.8 oz  
Material: Aluminum

Large Pot  
Dimensions: 130 x 100mm / 5.1 x 3.9 in  
Volume: 1000ml / 33.8 fl oz  
Weight: 120 g / 4.8 oz  
Material: Aluminum

# WindMaster with Micro Regulator Patent



OD-1RXN



Output  
2800 kcal / h  
3260 W  
11000 BTU

**Maintains a consistent output**  
Boiling time the same under a wide range of ambient temperatures.

**Ultra lightweight!**  
Ultra lightweight (only 67 g / 2.4 oz) due to the simple, unique design.

**Shock Resistant!**  
Stealth Igniter installed burner post improves ignition and prevents breakage, making this stove compact and lightweight.

## Optional Accessory

### IGNITER REPAIR KIT OD-1RXP

Igniter repair kit for OD-1RXN  
Easy to install. This convenient repair kit provides all the parts and instructions necessary to replace the igniter for this stove.



### 4Flex Patent Pending OD-1RX4

4-prong pot support  
Large pot support provides stability User-friendly for more than one person. Stows nicely on WindMaster  
Weight 27 g / 1.0 oz.  
Dimensions When stowed: Pot support only 47 x 77 x 44 mm / 1.9 x 3.0 x 1.7 in



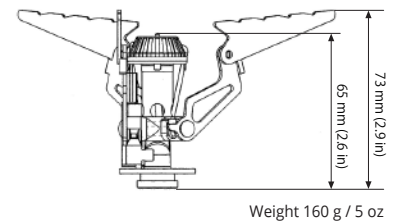
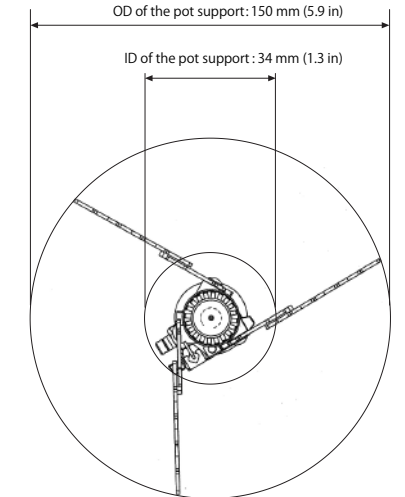
### TriFlex Patent Pending OD-1RX3

Easy choice to reduce weight for the ultralight adventurer.  
Weight 6.7 g / 0.24 oz  
Dimensions When stowed: Pot support only 94 x 10 x 35 mm / 3.7 x 0.4 x 1.4 in



# Compact Foldable Stove

OD-1BS



Output  
2800 kcal / h  
3260 W  
11000 BTU

World's smallest stove in the "single burner stove with igniter" category.  
Stove is compact when pot supports are folded.  
When unfolded, firmly supports large pots.



**Large pot support**  
Firm pot support made from stainless steel provides stability for large pots.



**Ultimate compact stove**  
Incredibly compact when pot supports are folded. Excellent for backpacking.



# Torch Accessories Cookware



# Pocket Torch w/refillable lighter

PT-14SBRFL



Hot Seller! The Pocket Torch uses the refillable lighter to become a powerful, wind-resistant mini-torch. The flame reaches temperatures up to 1300°C (approx. 2300 °F). Refill lighter with Fill Adapter or gas lighter cartridge.



① The weight of refillable lighter not included.

## Refillable Lighter

PT-RFL

Eco-friendly refillable lighter



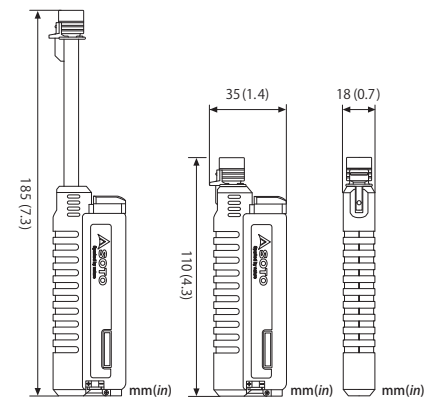
contains 2pcs



# Pocket Torch Extend

PT-XT

Compact, wind resistant, refillable burner with telescoping burner head. The flame reaches temperatures up to 1300°C (approx. 2,300°F). Refill torch with Fill Adapter or gas lighter cartridge.



Weight 55 g / 1.9 oz

① Uses propane, butane, and/or isobutane fuel, not included.

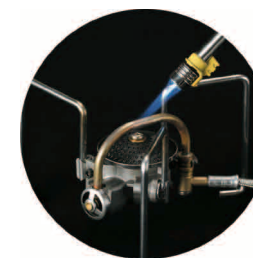
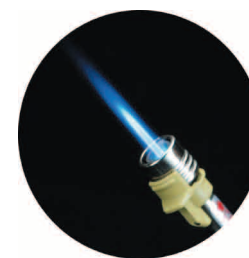
## Optional Accessory

### Fill Adapter OD-TRC

Attach to a butane canister for refilling Pocket Torch XT. Guard installed on the tip for protection.



Weight 25 g / 0.9 oz  
Dimensions in use 20 x 15 x 46 mm / 0.8 x 0.6 x 1.8 in



# Thermostack Patent Pending

## OD-TSK

- Make your own double-wall cup! 350ml fits snugly inside the 400ml cup to keep hot liquid hot and cold liquid cold.
- Break apart the double-wall cup for 2 separate cups.
- Use 350ml cup as a measuring cup.



### Multi-Use Cup 350ml Cup+Lid

- For hot or cold beverages
- Lightweight single cup
- ml measurements marked on cup



### Double-wall cup 350ml Mug+400ml Cup+Lid

- Keeps hot liquid hot
- Double-wall cup becomes 2 separate cups
- Perfect for freeze-dried meals (just add hot water)



350ml cup lid fits both 350, 400ml cups  
Material: PP + silicone seal

350ml cup  
Material: Stainless Steel

Cup Connector joints 350 and 400ml cups  
Material: PP + silicone seal

400ml cup  
Material: Titanium

Detachable Handle  
Material: Anodized aluminum + stainless steel



Use 400ml cup to boil water.



Pour hot water in 350ml cup to make coffee.



Make double-wall cup: Use detachable handle to place 350ml cup in 400ml cup.



Reheat coffee on camp stove.

## Micro Lifter

### SOD-5202



Dimensions: width 88 × depth 22 × height 22 mm  
Weight: 13 g  
Material: Aluminum, Stainless steel

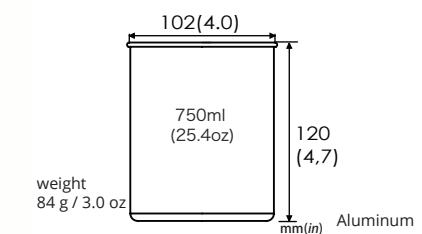
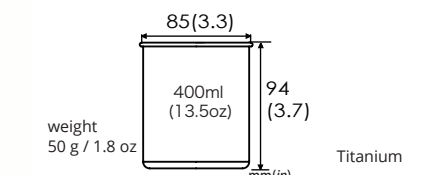
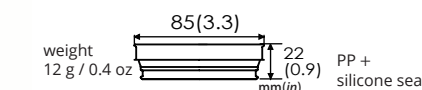
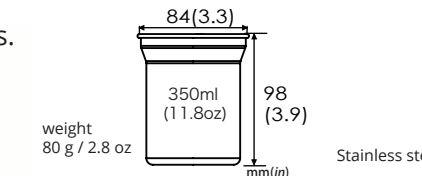
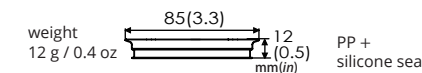
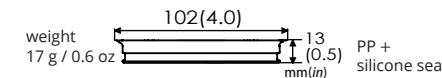
# Thermostack + Cook Set Combo

## OD-TSK Combo

A 750ml hard-anodized aluminum cooker and cozy complete the Thermostack, Original. The cozy keeps food in the hard-anodized aluminum cooker hot under cold ambient temperatures.



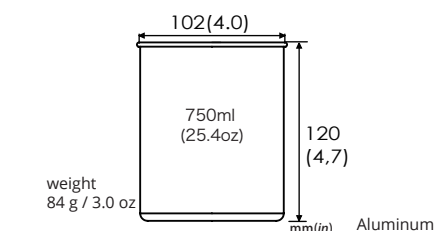
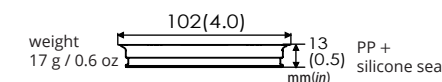
\* A mesh bag for the ThermoStack, + Cook Set Combo.



## ThermoLite

### SOD-522

Looking for a complete cook set? The ThermoLite is stackable, intended for use with the ThermoStack, Original.





# New River Pot

OD-NRP

SOTO introduces a cook set designed especially for the minimalist backpacker.

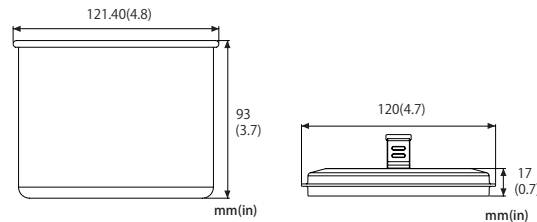
**Specs:**  
**Pot**

Dimensions: 120 x 98mm / 4.7 x 3.9 in  
Volume: 1,000ml / 33.8 fl oz  
Weight: 118g (only pot) / 4.2 oz  
Material: Aluminum

**Lid**

Dimensions: 118 x 17mm / 4.6 x 0.7 in  
Weight: 23g / 0.8 oz  
Material: Plastic

SOTO's Amicus stove and gas canister nest inside the New River Pot.



**New River Pot Combo**

+ Amicus stove with igniter  
OD-1NVE NR



**New River Pot Combo**

+ Amicus stove with igniter  
OD-1NV NR



# Navigator Cook Set

SOD-501

**Lightweight. Durable. User-friendly.**

SOTO's anodized aluminum pot excels in shock resistance, wearability and corrosiveness. The wide-rim narrow pot provides enough room for cooking large amounts of food and makes clean-up easy. The wide base minimizes heat loss thereby reducing gas consumption. Stack and stow all in one.



**Navi Duo Handle**  
SOD-5001



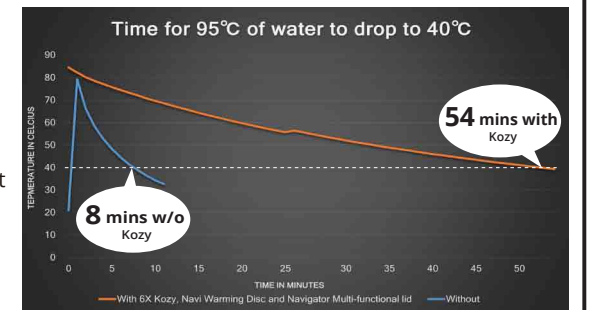
Dimensions:  
width 123 x depth 24 x height 50 mm  
Weight : 38 g / 1.3 oz  
Material : Aluminum

**Keeps hot food hot!**

Navigator Cook Set's 6\*Kozy keeps food hot 6 times longer than a traditional pot.

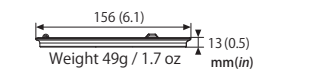
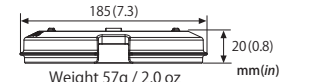


Slip hand in adjustable belt under 6\*Kozy to secure pot.



**Navi Duo Handle**

Works as a handle and as tongs. The inner spring keeps handles open so they can function as tongs.



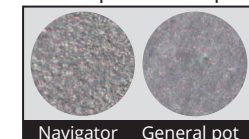
**Navigator Multi-functional Lid**



Cutting board Stabilizer Collander

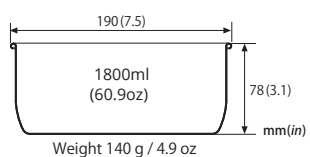
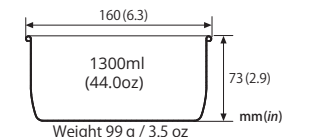
**Slip resistant!**

Navigator Cook Set's non-slip base on pot



Comparison of pot's base surface

**Designed for easy cleaning!**



# AeroMug

Titanium, Double-wall Mug 450 ml & 120 ml

Ultra-light, non-corrosive titanium mug.

Double-wall construction keeps cold drinks cold and hot drinks hot.

High-quality, well-made mug with laser-etched logo; finished by a skilled craftsman.

Versatile mug suitable not only for coffee and liquids, but also for soups or other light meals.

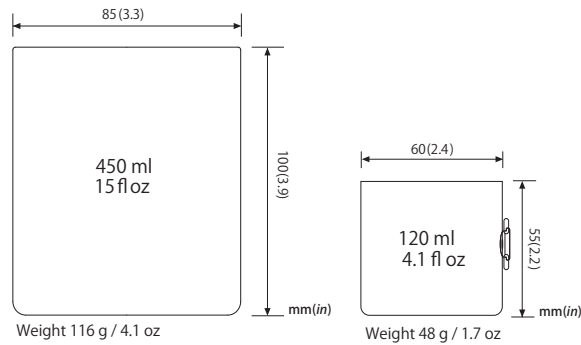
No metal smell and does not retain odors or tastes.



OD-AM45



OD-AM12



# AeroLid

ST-AM45L

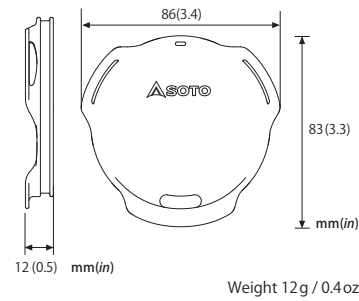
SOTO's light-weight AeroLid is 50% lighter

than a regular mug lid.

Use SOTO's lightweight

stove and mug for

ultra light packs.



# Helix Coffee Maker

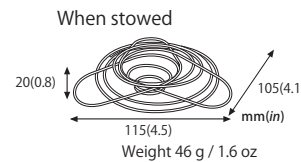
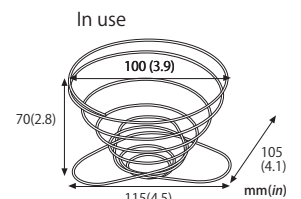
OD-HLX

*Collapsible coffee maker for 2 people*

Inverted cone shape coffee maker.

Lightweight, flexible, high-grade stainless steel

with a unique stowing system. Ten #2 cone filters included.



# Pocket Spork

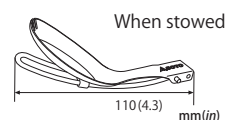
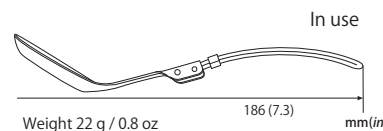
OD-SPK

*Foldable long handle*

Folding handle for compact stowing,

Ultra-light spork with titanium bowl.

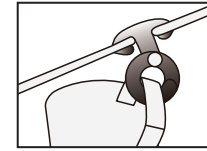
Ergonomically designed strong, stainless steel handle.



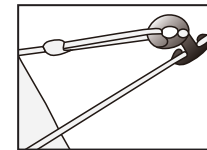
# Monkey Ring

OD-MR

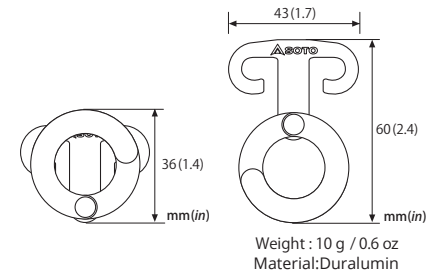
*Hang necessities on tent or on a rope with the Monkey Ring!*



Hang a thermometer, flashlight, silverware, or other items with a hook.



No rope work required! Use the Monkey Ring to tie a rope around a tree.



# Field Hopper

Patent Pending

ST-630

*Mini Pop-up Table*

Single-action pop-up legs.

Origami-style, uniquely engineered table

with legs that pop out as easily as opening a book.

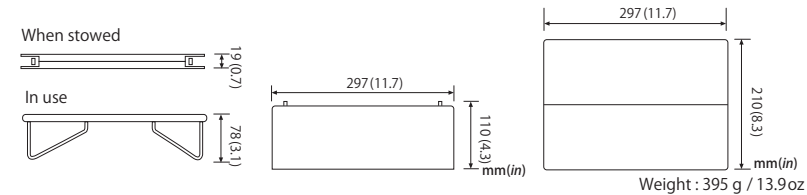
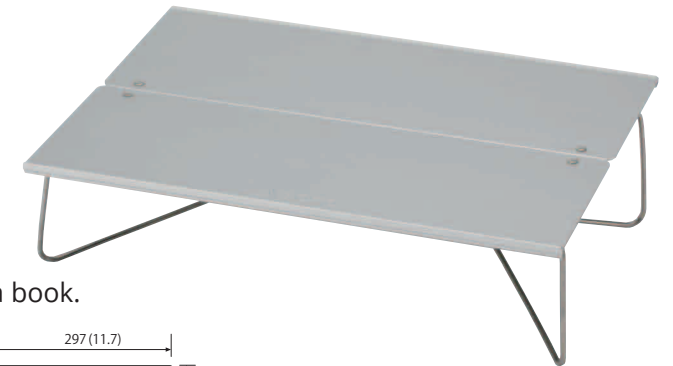
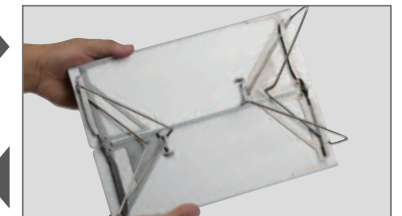
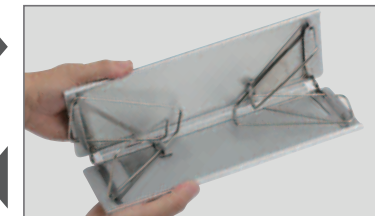


Table top: Aluminum  
Legs: Stainless steel  
Stowing bag: Nylon

Easy assembly. The legs pop out with a single action, opening into a 29.7x21x7.8cm table.



With Stow Bag

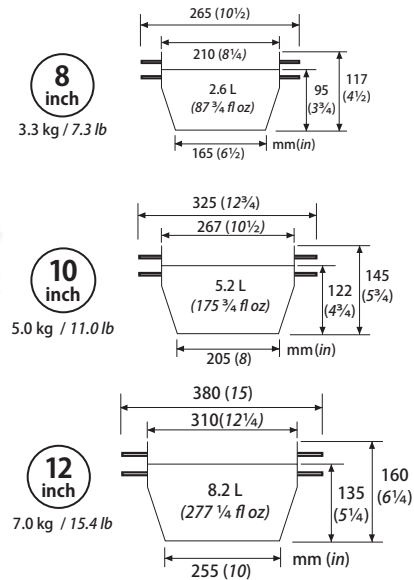


Lip on long-edge prevents items from sliding off table.

# STAINLESS STEEL DUTCH OVEN

8 inch 10 inch 12 inch

OD-SD8 OD-SD10 OD-SD12



## Stainless Steel Dutch Oven for outdoor and home use

The flat base on this Dutch Oven makes it compatible with induction, gas, electric and combination stove-tops. Now the outdoors Dutch Oven comes into the home for day-to-day use. The versatility of this product makes it an indispensable tool in the kitchen when stove-top cooking requires a large pot. In the oven, this indispensable pan excels at baking bread, making stews, dessert, and other cooking tasks.



**No seasoning required!**  
SOTO's easy-care Dutch Oven eliminates cumbersome seasoning.



**Thick stainless steel**  
Made of tough stainless steel with 4 mm (0.15 in) thick wall.



**Convertible lid becomes a griddle!**  
A unique feature of this Dutch Oven is the lid. Made of remarkably thick stainless steel, it can be used as a frying pan. The weighted, precision-made lid turns the Dutch Oven into a pressure cooker, thereby decreasing cooking time.



**Shock resistant!**  
SOTO's Dutch Ovens are made from one large sheet of incredibly strong stainless steel material. Every pot is hand-turned on a lathe.

# STAINLESS HEAVY POT GORA

ST-950

**Form meets function with SOTO's Gora cook set.**

The Gora is a complete, compact cook system. Robust and easy to cook with. Stores well and maintenance is a breeze. This cook set is a system cooker meeting the high-performance demands for both outdoor and indoor cooking. The plate thickness has been carefully determined by SOTO's design and engineering team for optimal heat conduction. This cook set has excellent heat retention, increasing thermal efficiency, reducing distortion and scorching on the bottom of each pan. In addition to its function and robustness, this stackable system cooker is designed to last for years and even generations. For use both outdoors and indoors.

**All stainless-steel pots are thick-walled and durable:**



This GORA can be stored in the OD-SD10 (10 inch).



The magnetic lifter also functions as the lid grip. A simple lid without a built-in handle is now a reality.



Uniquely designed edge prevents dripping and pours as easy as water from a kettle.





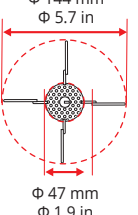
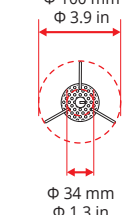
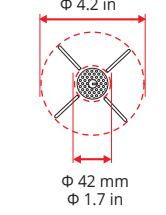
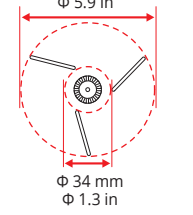
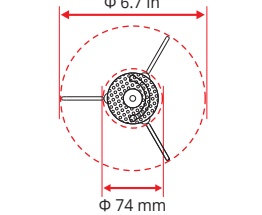


The lid without a handle can be used as a plate. The lid is simple and easy to wash.



# FEATURES

\* Data generated under the following conditions:  
Room temperature 25°C (77°F), no wind. Data calculated in company laboratory 5 min  
after ignition using a full SOTO fuel canister 250 g (8 oz).

	 <p>WindMaster 4Flex included</p> <p>4Flex</p> <p>TriFlex</p>	 <p>Amicus w/ igniter w/o igniter</p>	 <p>Compact Foldable Stove</p>	 <p>StormBreaker (Except USA)</p>
Valve System	MICRO (R)	---	---	---
Igniter	STEALTH IGNITER	STEALTH IGNITER Only w/ igniter	Piezo-Igniter	---
Dimensions in use	Stove body + TriFlex pot support 90 x 117 x 100 mm / 3.5 x 4.6 x 3.9 in Stove body + 4Flex pot support 144 x 144 x 96 mm / 5.7 x 5.7 x 3.8 in	106 x 106 x 86 mm 4.2 x 4.2 x 3.4 in	150 x 150 x 80 mm 5.9 x 5.9 x 3.1 in	Stove body only 150 x 130 x 90 mm 5.9 x 5.1 x 3.5 in
Dimensions when stowed	Stove body only 47 x 51 x 88 mm / 1.9 x 2.0 x 3.5 in Tri Flex only 94 x 10 x 35 mm / 3.7 x 0.4 x 1.4 in 4Flex only 47 x 77 x 44 mm / 1.9 x 3.0 x 1.7 in	40 x 43 x 75 mm 1.6 x 1.7 x 3.0 in	34 x 46 x 64 mm 1.3 x 1.8 x 2.5 in	Stove body only 65 x 65 x 90 mm 2.6 x 2.6 x 3.5 in
Weight	Stove body + TriFlex pot support 67 g / 2.4 oz Stove body + 4Flex pot support 87 g / 3.1 oz	OD-1NVE 81 g / 2.9 oz OD-1NV 75 g / 2.6 oz	160 g 5 oz	Body only 225 g / 7.9 oz With pump 395 g / 13.9 oz With valve 278 g / 9.8 oz
Output*	2,800 kcal / h or 3,260 W or 11,000 BTU	2600 kcal / h 3030 W 10210 BTU	2800 kcal / h 3260 W 11000 BTU	3000 kcal / h 3487 W 11904 BTU
Pot Support Diameter	<div style="display: flex; justify-content: space-around;"> <div style="text-align: center;"> <p>4 Flex Φ 144 mm Φ 5.7 in</p>  <p>Φ 47 mm Φ 1.9 in</p> </div> <div style="text-align: center;"> <p>TriFlex Φ 100 mm Φ 3.9 in</p>  <p>Φ 34 mm Φ 1.3 in</p> </div> </div>	<p>Φ 106 mm Φ 4.2 in</p>  <p>Φ 42 mm Φ 1.7 in</p>	<p>Φ 150 mm Φ 5.9 in</p>  <p>Φ 34 mm Φ 1.3 in</p>	<p>Φ 170 mm Φ 6.7 in</p>  <p>Φ 74 mm Φ 2.9 in</p>
Burn time*	Burns approx. 1.5 hours with 250 g (8 oz) canister.	Burns approx. 1.5 hours with 250 g (8 oz) canister	Burns approx. 1.5 hours with 250 g (8 oz) canister	Burns approx. 1.5 hours at maximum output using 480 ml (16.3 oz) white gasoline.
Flame	